

F0312NDDC-NFS

Home | Security | Lenses | Fixed Focal Length

F0312NDDC-NFS
F1.2/2.8mm DC Lens with No Focus Shift,
1/3" CS Mount

Art-Nr. 47147



Main Features

Suitable for 1/3" and 1/4" colour and b&w cameras	High standard of optical and mechanical quality
No-focus-shift from visible to near IR light range	4 pin connector for DC iris control
Monofocal length	Adjustable slip-ring mount for cable positioning
Aspherical lens elements	Locking mechanism for the focus ring
CS mount	

Specifications

Lens type	fixed focal length
Application range	day/night
Day/Night	yes
Megapixel	no
Aspherical technology	yes
Nominal format size	1/3"
Flange focal length	12.5mm
Mount	CS
Focal length	2,8 mm
Horizontal angle of view	93,2°
MOD (Minimum object distance)	0,2 m
Aperture range (F)	F1.2~F360
Iris control	DC
Iris control system	Galvanometer

F0312NDDC-NFS

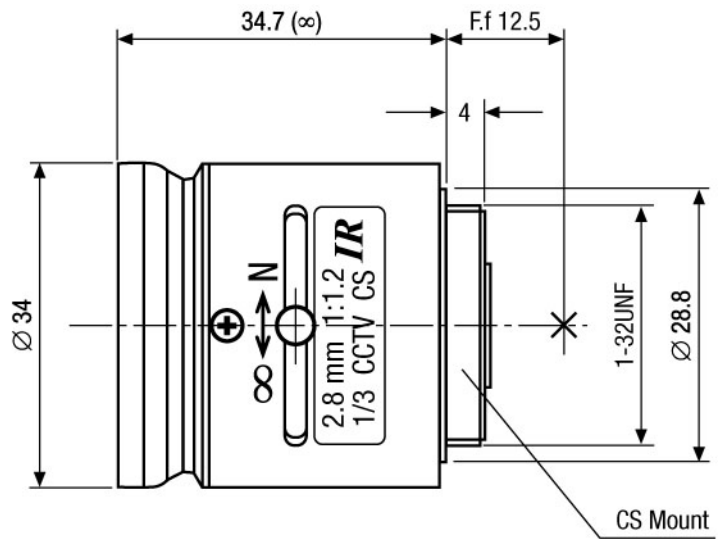
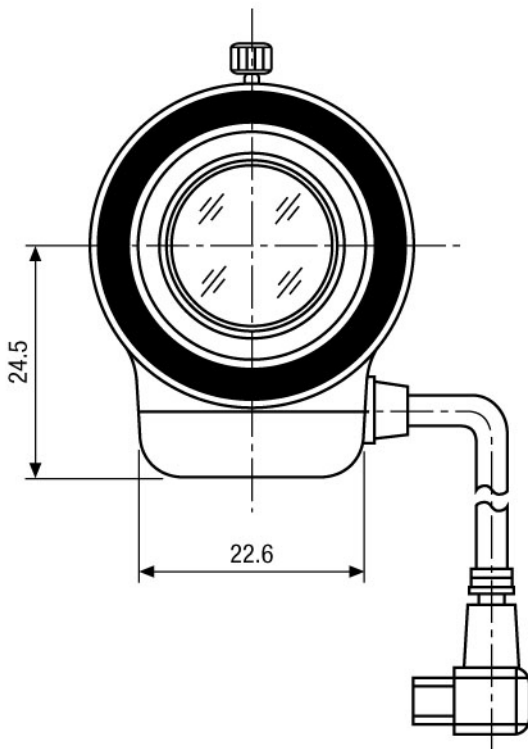
(Continuation Spezifications)

Focus constant range	+0.02mm (Focus deviation at switch-over to IR light at 850nm)
Screw-in depth	4.2mm
Filter screw size	-, not available
Cable length	approx. 20cm
4-pin plug	Standard
Temperature range (operation)	-20°C ~+50°C
Length	34,7 mm
Diameter	34 mm
Radius	24,5 mm
Weight	44g

F0312NDDC-NFS

Home | Security | Lenses | Fixed Focal Length

Technical drawing



Maße/Dimensions: mm

